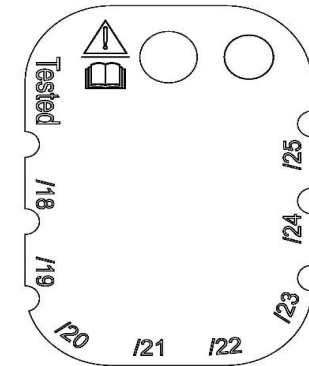
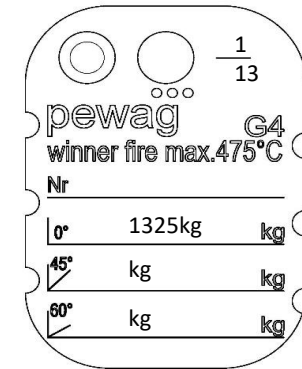


67 chain links

Total length (From bearing point to bearing point) approximately: 3,1 m  
theoretical length: 3,073 m



Sling tag has to be mounted directly into the master link or in a link immediately adjacent to it

<b>Name:</b>	KWF 13 I AWF-AWF
<b>Drawing number:</b>	20385
<b>Date:</b>	6/1/2018 2:39:04 PM
<b>Draftsman:</b>	Piotr Kwaczynski
<b>Comments:</b>	
<b>Customer:</b>	pewag
<b>Loading capacity:</b>	1325kg
<b>Weight:</b>	13,7kg

Sling-finish: blank. Schematic drawing - not true to scale.

Bill of materials				
Pos	Article number	Material short text	Amount	Unit
1	40860	KETTE KWF 13X39 NSW UNGEGLÜHT	2,613	M
2	88732	AUFH.GL. AWF22 UNGEGL.(AW22) VAR1 NSW	1	S
3	88732	AUFH.GL. AWF22 UNGEGL.(AW22) VAR1 NSW	1	S
4	37094	GLIED VORG.GESCHL. BW 16 G10	1	S
5	37094	GLIED VORG.GESCHL. BW 16 G10	1	S
6	55554	TK-ANH.Neutral	1	S
7	24282	ROSTB.GLIED VORG.GESCHL.MGWI 8x62	1	S

<b>Check:</b>	
---------------	--